

Free Standing Gas Stove  
Model FDV200/FV200

New FOR  
2006



Vented Gas Stove



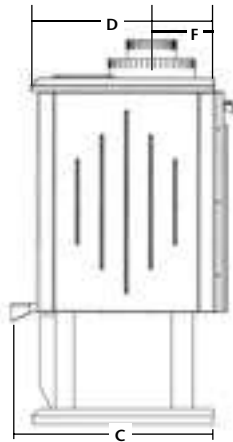
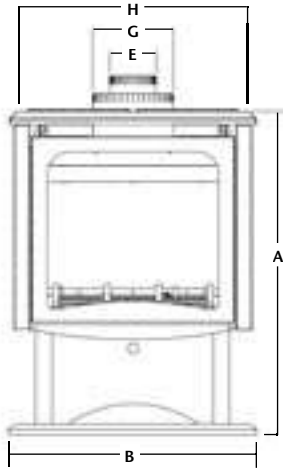
30 YEARS • 1976 - 2006

*The ultimate in design, engineering & quality*

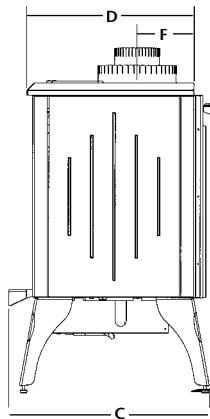
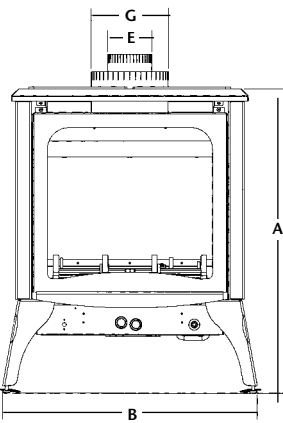
The unit illustrated is the FDV200PN Free Standing Direct Vent Gas Stove Pedestal Model, LOGC200 Cast Split Oak Log Set with glowing embers, FDV200RL Refractory Brick Liner, and F200ADDX Arch Door Deluxe.

# The Ultimate in Free Standing Gas Stoves for New Home Construction or Renovation

Your best choice for installation anywhere throughout your home.



A	28 1/2"
B	21 11/16"
C	17 1/2"
D	15"
E	4" diameter
F	5 1/8"
G	7" diameter
H	21 5/8"



A	27 1/8"
B	23 1/4"
C	17 1/2"
D	15"
E	4" diameter
F	5 1/8"
G	7" diameter



With a direct vent appliance you can vent either through the side wall above the unit or straight up through the roof.

The model illustrated is the FDV200N Leg Model, with LOGC200 Log Set, and FDV200RL Brick Liner.

The FV200 B-Vented model (4" B-Vent) is particularly well suited for replacement of wood stoves as it can utilize the existing wood stove chimney. The unit has a spill safety switch, which will shut down the appliance in case of a blocked flue or downdraft occurs.

The FDV200 Direct Vent Model provides sealed combustion where it draws outside air for combustion. This model can be vented either horizontally or vertically.

### Minimum clearances to combustibles:

FDV200	FV200	
6"	7 1/2"	from side of unit
3"	3"	from back of unit
3"	3"	from side of unit in corner

### Alcove installation:

30"	depth (max.)
56"	height (min.)
53"	width (min.)

	Model	BTU-Input	Gas	Efficiency	FE(P4.1-02)
Direct Vent	FDV200N/ FDV200PN	30,000 - 20,000	Natural	77%	60.3%
	FDV200LP/ FDV200PLP	26,000 - 21,000	Propane	78%	63.6%
B-Vent	FV200N/ FV200PN	30,000 - 20,000	Natural	73%	68.3%
	FV200LP/ FV200PLP	32,000 - 25,000	Propane	76%	68.7%

### Features\*

- Stoves are available as a Pedestal or Leg model
- Millivolt valve system allows operation during a power failure with Hi-Low heat and flame adjustment
- Dual burner system, with Realistic Flame Pattern
- Heat radiating ceramic glass
- Mobile home approved - (Direct Vent Model Only)
- Approved for installation in a bedroom or bed sitting room
- Cast Oak Log Set with glowing embers\*

### Optional Features

- Heat activated blower with variable speed control
- Brick Refractory Liner (3 pieces)
- Remote Control on/off or Thermostat
- Millivolt Wall Mount Thermostat
- Programmable Millivolt Thermostat
- Arch Door Deluxe Overlay



Kingsman Industries maintains a program of continuous testing, refinement and improvements of all its products. Some aspect of units shown here may be changed at any time without notice or obligation.  
 Certification: The model FDV200 is certified for USA and Canada, Certified to: ANSI Z21.88a-2002/CSA-2.33-2002, Can/CGA 2.17-1991, CSA P.4.1-02. Listed Direct Vent Gas Fired Free Standing Room Heater.  
 The model FV200 is certified to ANSI Z21.88b-2003/CSA 2.33b-2003, Can/CGA 2.17-1991.



\*Components may have to be ordered separately to create a complete unit. Discuss with your local Kingsman dealer for clarification.

## Vented Gas Fireplace



Kingsman Fireplaces  
 2340 Logan Avenue  
 Winnipeg, Manitoba, Canada R2R 2V3  
 Phone: (204) 632-1962 Fax: (204) 632-1960  
 www.kingsmanind.com

Free Standing Gas Stove  
Model FDV300

New FOR  
2006\*



Direct Vent Gas Stove



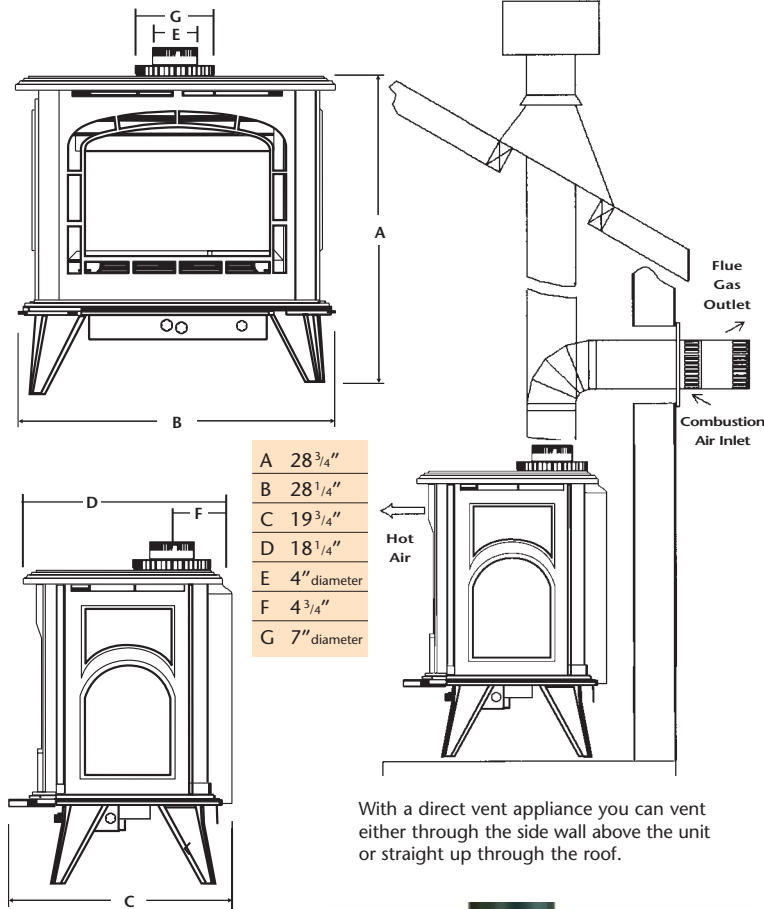
30 YEARS · 1976 - 2006

*The ultimate in design, engineering & quality*

This unit illustrated is a FDV300BRN Majolica Brown Free Standing Cast Stove – Natural Gas, with LOGF35 Log Set – Fibre Split Oak and Glowing Embers.

# The Ultimate in Free Standing Gas Stoves for New Home Construction or Renovation

Your best choice for installation anywhere throughout your home.



Enjoy the elegance and warmth of glowing embers and dancing flames around our fibre oak log set. It is sure to be the focal point of your home. Choose from a variety of decorative options to create your own distinctive appearance and be assured of complete safety, comfort and long lasting value from a manufacturer of wood and gas fireplaces with more than 30 years of experience.

## Minimum clearances to combustibles:

- 6" from side of unit
- 3" from back of unit
- 3" from side of unit in corner

## Alcove installation:

- 30" depth (max.)
- 55 1/2" height (min.)
- 52 1/2" width (min.)

Model	BTU-Input	Efficiency	FE (P4.1-02)
FDV300N	32,000 - 22,000	75%	53.1%
FDV300LP	28,000 - 21,000	76%	60.9%

\* By using our B-Vent Converter (F35BVC), the FDV300 direct stove is converted to a vented appliance.

## Features\*

- Millivolt Valve system allows operation during a power failure with Hi-Low heat and flame adjustment
- Dual burner system, with realistic flame pattern
- Heat radiating ceramic glass
- Direct Vent models are mobile home approved
- Approved for installation in a bedroom or bed sitting room
- Fibre Oak Log Set with glowing embers

## Optional Features

- Heat activated blower with variable speed control
- Brick refractory liner (3 pieces)
- Remote Control On/Off or Thermostat
- Millivolt Wall Mount Thermostat
- Programmable Millivolt Thermostat
- Choice of colors – Black, Porcelain Enamels in Almond, Black, Green and Brown



When using an existing woodstove chimney, Kingsman's B-Vent Converter along with a flex liner is used to convert the direct vent system into a vented appliance.

Porcelain Enamels				
Almond	Black	Green	Brown	Black

Kingsman Industries maintains a program of continuous testing, refinement and improvements of all its products. Some aspect of units shown here may be changed at any time without notice or obligation.  
 Certification: The model FDV300 is certified for USA and Canada, Certified to: ANSI Z21.88a-1999/CSA-2.33a-M99, Can/CGA 2.17-1991, CR89-001, CSA P.4.1-02. Listed Direct Vent Gas Fired Free Standing Room Heater



\*Components may have to be ordered separately to create a complete unit. Discuss with your local Kingsman dealer for clarification.

# Direct Vent Gas Stove



**Kingsman Fireplaces**  
 2340 Logan Avenue  
 Winnipeg, Manitoba, Canada R2R 2V3  
 Phone: (204) 632-1962 Fax: (204) 632-1960  
[www.kingsmanfireplaces.com](http://www.kingsmanfireplaces.com)

# Free Standing Gas Stove Model FDV350



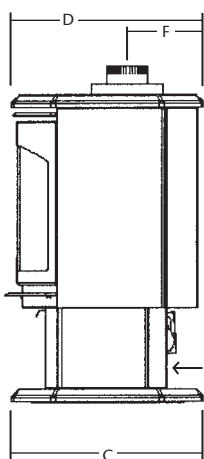
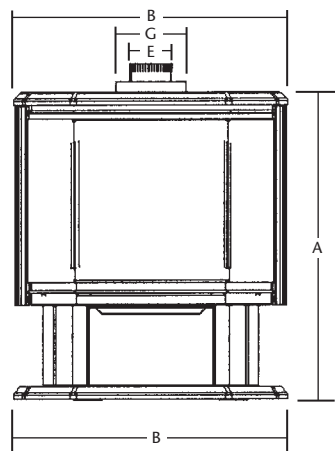
Direct Vent Gas Stove



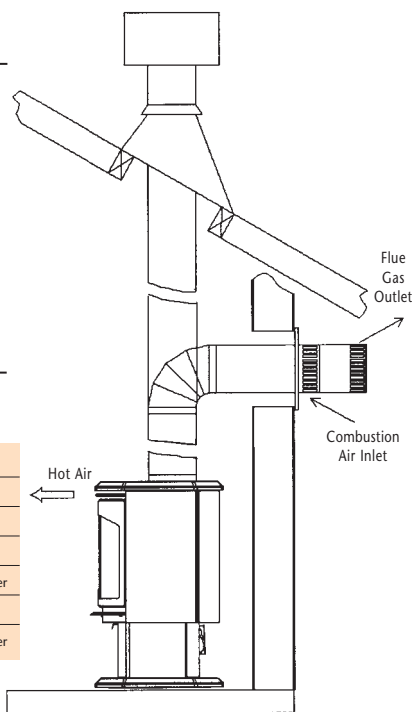
*The ultimate in design, engineering & quality*

# The Ultimate in Free Standing Gas Stoves for New Home Construction or Renovation

Your best choice for installation anywhere throughout your home.



- A 30 3/8"
- B 27 5/16"
- C 19 1/16"
- D 19 1/16"
- E 4" diameter
- F 7 1/2"
- G 7" diameter



With a direct vent appliance you can vent either through the side wall above the unit or straight up through the roof.



When using an existing woodstove chimney, Kingsman's B-Vent Converter along with a flex liner is used to convert the direct vent system into a vented appliance.

Kingsman Industries maintains a program of continuous testing, refinement and improvements of all its products. Some aspect of units shown here may be changed at any time without notice or obligation.  
 Certification: The model FDV350 is certified for USA and Canada, Certified to: ANSI Z21.88a-1999/CSA-2.33a-M99, Can/CGA 2.17-1991, CR89-001, CSA P.4.1-02. Listed Direct Vent Gas Fired Free Standing Room Heater



\*Components may have to be ordered separately to create a complete unit. Discuss with your local Kingsman dealer for clarification.

Enjoy the elegance and warmth of glowing embers and dancing flames around our fibre oak log set. It is sure to be the focal point of your home. Choose from a variety of decorative options to create your own distinctive appearance and be assured of complete safety, comfort and long lasting value from a manufacturer of wood and gas fireplaces with more than 25 years of experience.

## Minimum clearances to combustibles:

- 12" from side of unit
- 3" from back of unit
- 3" from side of unit in corner

## Alcove installation:

- 30" depth (max.)
- 55 1/2" height (min.)
- 52 1/2" width (min.)

Model	BTU-Input	Maximum Efficiency	FE (P4.1-02)
FDV350N	37,000-29,000	84%	67.1%
FDV350LP	35,000-27,000	85%	69.7%
* FV350N	37,000-29,000	77%	
* FV350LP	35,000-27,000	78%	

\* By using our B-Vent Converter (F35BVC), the FDV350 direct stove is converted to a vented appliance.

## Features\*

- Millivolt Valve with Hi-Low heat and flame adjustment and allows operation during a power failure
- Dual burner system, with realistic flame pattern
- Heat radiating ceramic glass with panoramic view from three sides
- Direct Vent models are mobile home approved
- Approved for installation in a bedroom or bed sitting room
- Black Louver
- Fibre Oak Log Set with glowing embers

## Optional Features

- Heat activated blower with variable speed control
- Brick refractory liner (3 pieces)
- Designer Black Arch Door with Ceramic Glass
- Designer Gold Arch Door with Ceramic Glass
- Gold (24 carat) Louver
- Remote Control on/off or Thermostat
- Millivolt Wall Mount Thermostat
- Programmable Millivolt Thermostat



# Direct Vent Gas Stove



Kingsman Fireplaces  
 2340 Logan Avenue  
 Winnipeg, Manitoba, Canada R2R 2V3  
 Phone: (204) 632-1962 Fax: (204) 632-1960  
 www.kingsmanind.com